

Exact PipeCut+Bevel 360 PS

11.11.2021

Pos.	Part n:o	Description-ENG	Pcs/unit
3	590872-09	Screw M5x6 ISO 7380	4
3,5	725269	Washer M5 DIN 125	2
4	10080-01	Screw M5x12 DIN 7991	6
6	11177-00	Special screw M8x40	16
7	11143-00	Bearing - SA	5
8	11704-20	Flange bearing	1
8,5	11566-10	Flange bearing GFM-101216-06	1
9	10905-10	Bellows base plate	1
11	15464-00	Protection bellows PC360 PS	1
12	15571-00	Counter peg	1
13	15466-00	Body profile PC360 PS	1
14	11176-00	Sliding bearing (GSM-0810-20)	8
19	10910-30	Attachment block (plate)	1
21	11665-00	Trapeze screw with nuts 360	1
23	10916-00	Screw support sleeve	2
24	11897-00	Trapeze screw lock yellow	1
25	590872-20	Cap head screw M5x12 ISO 7380	4
26	911258	Spring pin (Rolled pin)	1
27	11175-00	Washer GTM-0818-010 DIN 7979	8
29	10913-10	Gripper knob	1
33	11454-00	Pulling profile bracket R	2
34	11455-00	Pulling profile bracket L	2
35	10980-02	Spring washer 8,4/18/1 BN 802	2
36	10985-02	Hex nut M8 DIN439B	1
37	725886	Hex nut M8 DIN985	1
40	15509-00	Square laser holder	1
45	15561-00	Cutter shaft PC360 PS - SA	1
46	15479-30	Laser cover	1
49	15520-00	Slide plate spring	1
53	15517-00	Blade guard bushing	1
54	725471	Retaining rings 12 DIN 471	1
55	742168	Pin 3x14	1
56	15519-00	Lifting Spring	1
57	15518-00	Main shaft	1
58	15497-00	Rubber Bushing	1
63	10951-10	Protective cable sleeving	1
64	15491-00	Carbon Brush Cable	2
65	15528-00	Hex nut M16 DIN 439B	1
67	15514-00	Blade flange PC360 PS	1
68	15515-00	Attachment flange PC360 PS	1
69	15523-00	Blade guard spring	1
72	15472-00	Lock Hook	1
73	11553-00	Lock Hook Spring	1
74	15516-00	Spacer	1
75	378975-00	Cable Clamp	1
76	249233-00	Washer A4,3 DIN 125	1
77	15503-00	Air deflector	1
78	15475-00	Backlash plate	1
79	10986-00	Screw K40/8	2
80	15387-00	Handle Al 160mm	1
81	10983-03	Dowel pin 6x18 DIN 7	1
82	10983-04	Dowel pin 3x12 DIN 7	2
85	10987-09	Screw M10x16 BN1206	3
87	11772-10	Bushing	1
88	10987-11	Screw M8x20 BN 1206	2
91	11541-00	Elastic Bar	1
92	10080-07	Screw M5x16 DIN 7991	8

Pos.	Part n:o	Description-ENG	Pcs/unit
126	15502-20	Motor Body blue + labels	1
127	11539-00	Draw Bar 170	1
128	15493-00	Temperature sensor	1
129	15494-00	Electronics unit 230V	1
129	15494-50	Electronics unit 120V	1
130	15559-00	Armature 230 V with bearings	1
130	15560-00	Armature 120 V with bearings	1
131	15567-00	Field Coil 230V + Temp. Sens.	1
131	15568-00	Field Coil 120V + Temp. Sens.	1
132	15488-00	Brush holder 230V	2
132	15488-50	Brush holder 120V	2
134	11797-00	Electric switch Marquard	1
135	15492-00	Speed sensor	1
136	10949-00	Power Cord EU	1
136	15570-00	Power cord UK 3-pin round	1
136	11023-15	Power cord US 120V	1
138	11534-50	Handle right - BLUE	1
139	11530-50	Handle left - BLUE	1
140	15486-00	End cup - YELLOW	1
141	15584-00	Lower blade Guard PC360 PS - SA	1
141,5	15607-00	Lower blade Guard PC&BEVEL360 PS - SA	1
142	15484-00	Blade guard top PC360 PS	1
178	15536-00	Wrench	1
180	10987-02	Screw M4x6 BN 1206	5
181	11184-00	Holder wheel black	6
186	10987-13	Screw M4x16 BN1206	2
187	10976-11	Screw M4x10 DIN 912	2
188	10987-12	Screw M6x8 BN 1206	1
189	10976-05	Screw M6x40 DIN 912	1
191	15463-00	Body panel	1
195	10910-35	Attachment block (plate) - machined	1
197	11891-50	Wheel 24.7mm - SA	1
198	11889-00	Sliding bearing GFM-1416-04	2
199	11891-00	Wheel 24mm - SA	1
200	10994-05	Spring plate	2
230	15478-90	Laser holder	1
231	11252-00	Retaining rings 6 DIN 471	1
234	10985-10	Hex Nut M10x1,5 DIN439B	2
235	10393-10	Washer M10 DIN125A	1
236	15345-00	Screw M5x7	1
241	15543-00	Rubber spacer	4
247	10248-00	Washer 12x18x0,5 DIN 988	2
248	11121-00	Allen key 2 Black	1
249	15557-00	Screw M6x6	1
251	11570-00	Socket set screw M4x16 AISI 316	1
252	11129-60	Eccenter PC360E	1
256	15566-00	Gear shaft PC360 PS - SA	1
270	15593-00	Adjustment plate	1
271	15594-00	Body panel	1
272	15595-00	Adjusting wheel	1
273	15596-00	Trapeze adjusting srcew	1
274	15597-90	Bellows base plate	1
275	15599-00	Counter peg	1
276	15600-00	Plate 1	1
278	15601-00	Plate 2	1
279	15602-00	Big plate 2	1
280	15603-00	Plate 3	1

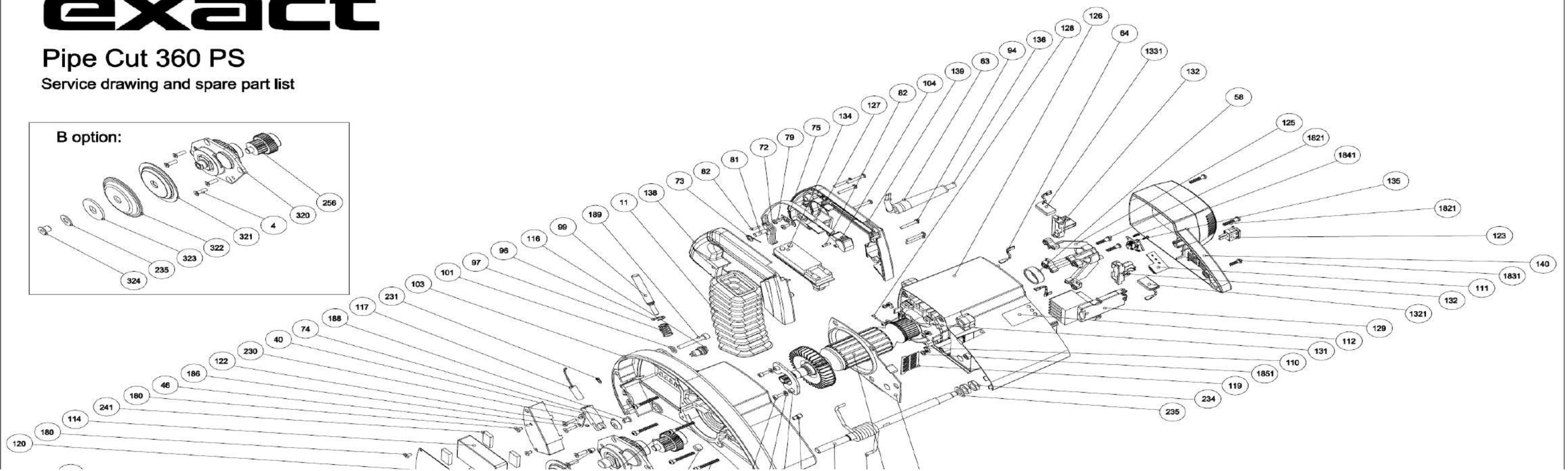
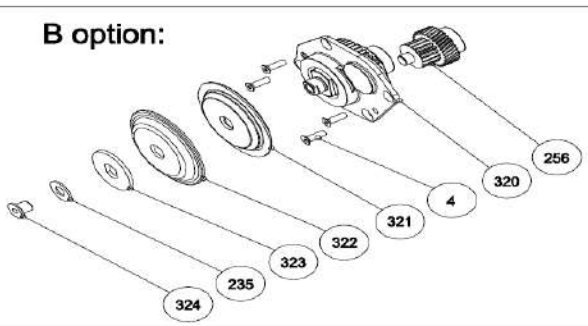
Pos.	Part n:o	Description-ENG	Pcs/unit
94	10986-03	Screw PT40x18	7
96	10273-00	Circlip 8 Fe DIN 6799	1
97	11552-00	Spindle Lock Spring 170	1
99	15482-00	Spindle Lock	1
101	11133-00	Washer 6,4/11 DIN 137A	1
103	715481-10	Gearbox PC360 PS + labels	1
104	11538-01	Locking Lever with Yellow indicator	1
110	15499-00	Fastener	4
111	15500-00	Traffic light	1
112	15501-00	Traffic light sticker	1
114	15506-00	Battery box	1
116	15504-00	Electric switch R13-502A	1
117	15508-00	Laser	1
119	15476-90	Air flow limiter	1
120	15477-90	Battery cover	1
122	11570-10	Pin screw M3x3 DIN 913	1
123	15522-00	Electric switch 13x19,2	1
124	725927	Allen key 5 BLACK	1
125	15487-00	Bearing holder	1
	15529-00	Carry bag Exact PC280/360 PS	1
A	15562-00	Pulling profile PC360 PS - SA	2
B	15563-00	Turning profile left PC360 PS - SA	1
C	15564-00	Turning profile right PC360 PS - SA	1

Pos.	Part n:o	Description-ENG	Pcs/unit
281	15604-00	Limiter	1
282	15605-00	Cap plate	1
283	15606-00	Shim plate	1
284	11566-11	Flange bearing GFM-1012-10	1
285	11704-11	Flange bearing GFM-1214-10	1
286	10990-00	Flange bearing GFM-1012-035	2
289	10080-08	Screw M5x20 DIN7991	3
290	10080-07	Screw M5x16 DIN 7991	2
291	10080-13	Screw M5x10 DIN7991	6
292	325880-05	Dowel pin 6325	1
295	15609-00	Ball screw M6x14	1
296	249411-00	Hex nut M6 DIN934	1
297	10987-16	Screw M4x10 BN1206	1
320	15718-00	Cutter shaft PC360 PS - SA - B	1
321	15514-10	Blade flange PC360 PS fi15	1
322	11542-00	Attachment flange 80 mm	1
323	10944-01	Pulling flange washer	1
324	10987-01	Blade Screw M10x10 BN1206	1
675	15641-00	Washer grinded 22/16/0,5	1
1211	11130-50	Wheel for eccenter PC360	1
1321	15489-00	Carbon brush 230V	1
1331	15490-00	Carbon brush SWU 230V	1
1331	15490-50	Carbon brush SWU 120V	2
1441	11188-11	Pipe Support PS double, yellow	1
1445	11191-11	Pipe Support PS single, yellow	2
1811	10986-12	Screw K50x35 WN1452	5
1821	10986-11	Screw K50x20 WN1452	4
1831	10986-10	Screw K50x16 WN1452	1
1841	15336-10	Screw PT K30x6	2
1851	10986-20	Screw K42x10 WN1452	4

exact

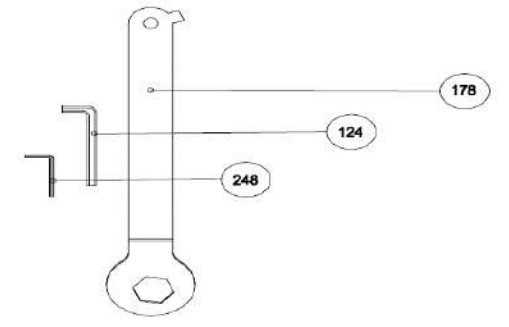
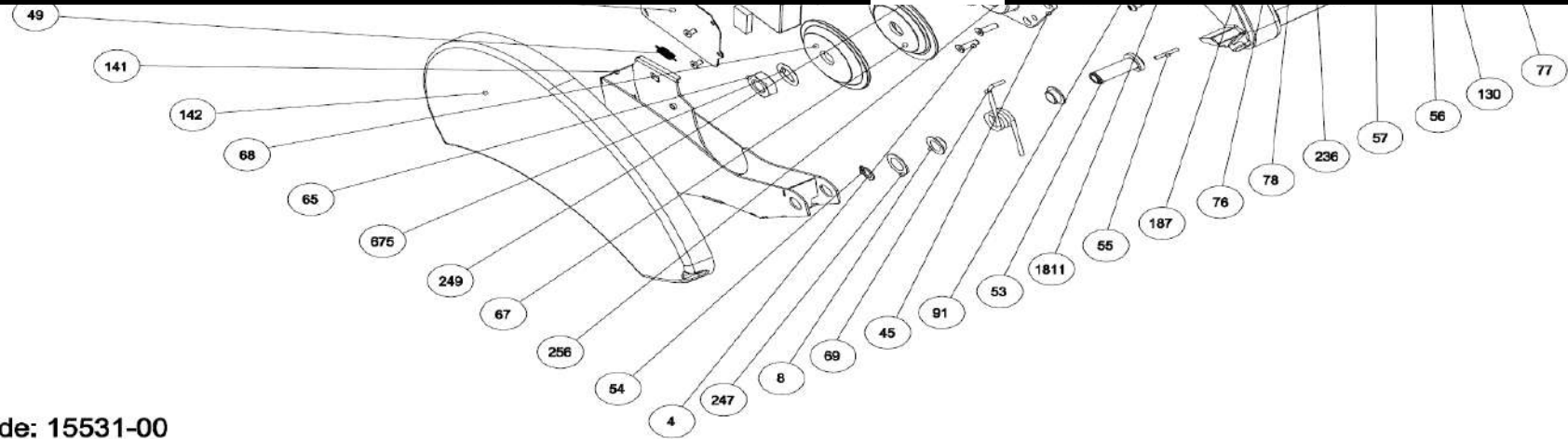
Pipe Cut 360 PS

Service drawing and spare part list



Pos.	Part n:o	Description-ENG	Pcs/unit
------	----------	-----------------	----------

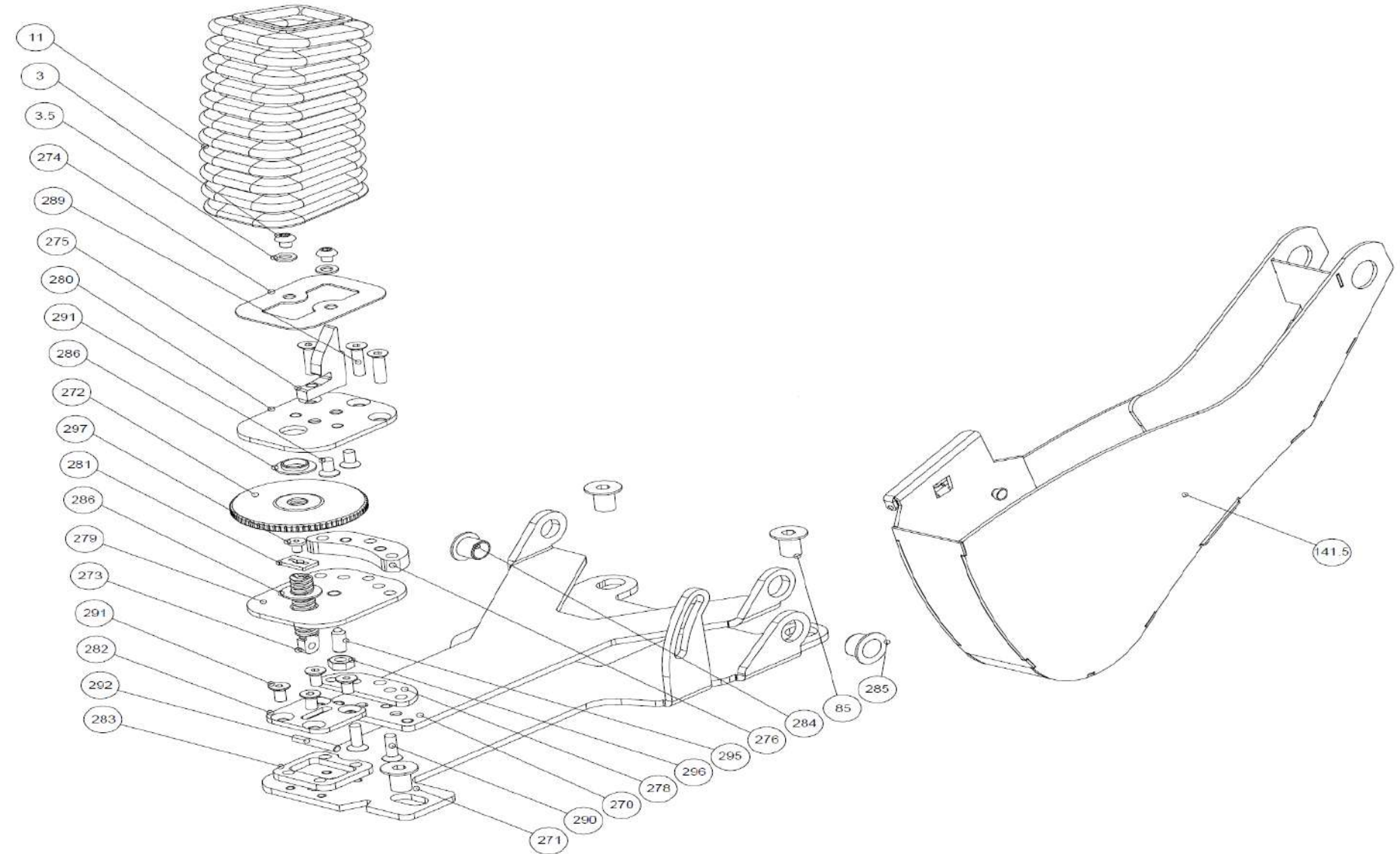
Pos.	Part n:o	Description-ENG	Pcs/unit
------	----------	-----------------	----------



Code: 15531-00

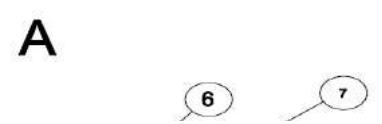
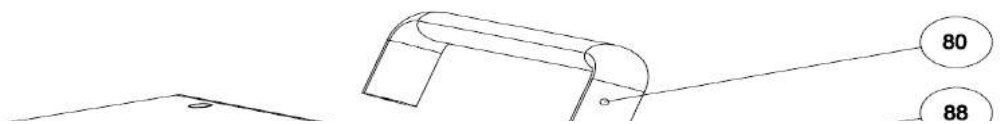
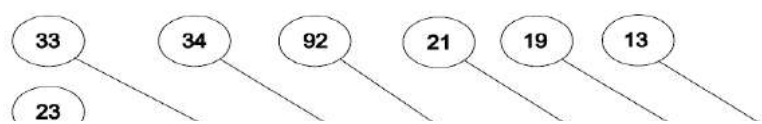
verz.4, 2020-5

PC&BEVEL PS - stepless mechanism
Service drawing



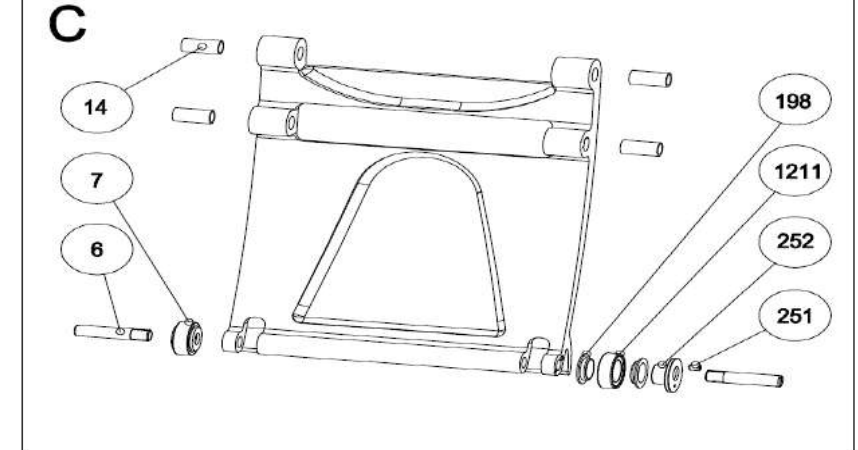
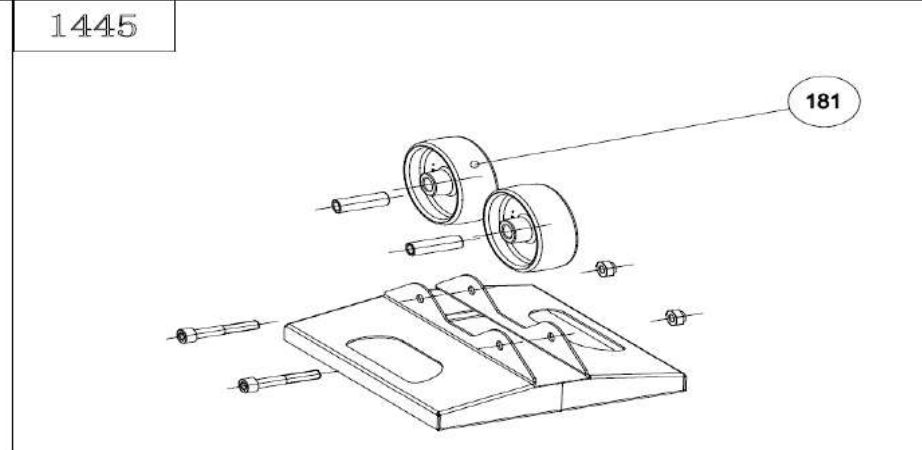
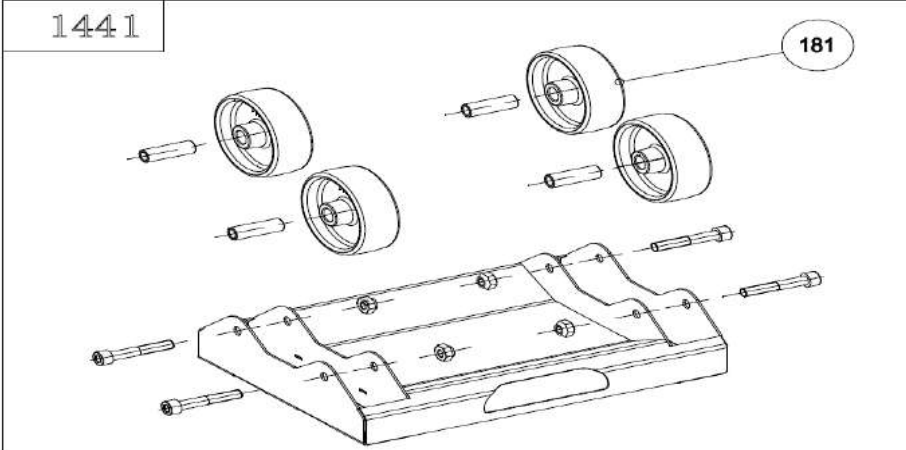
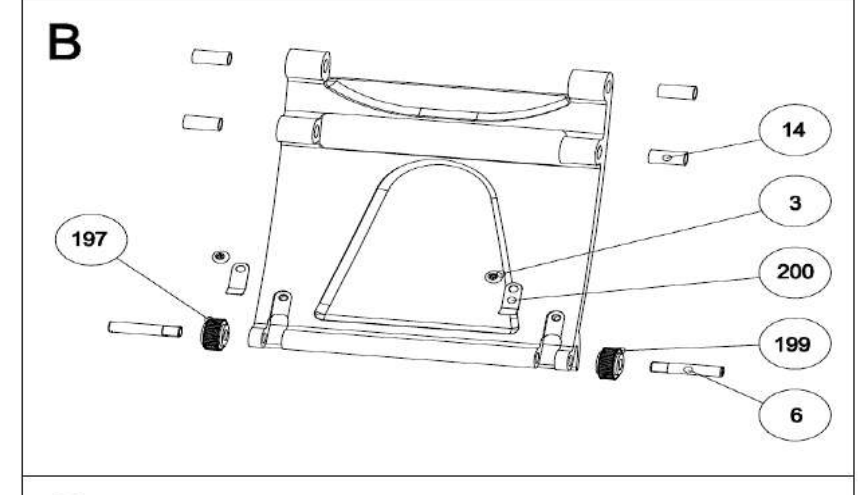
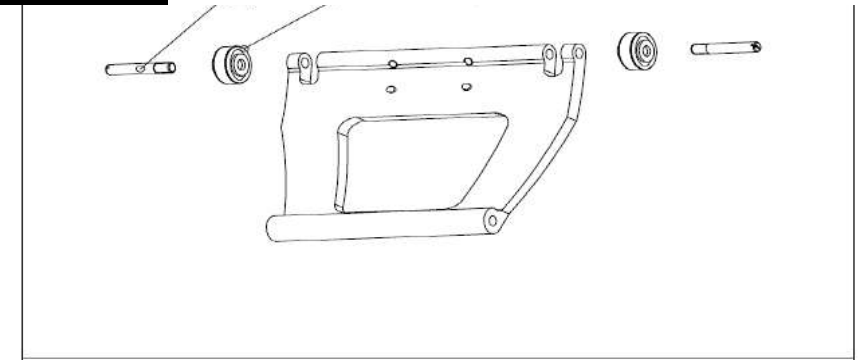
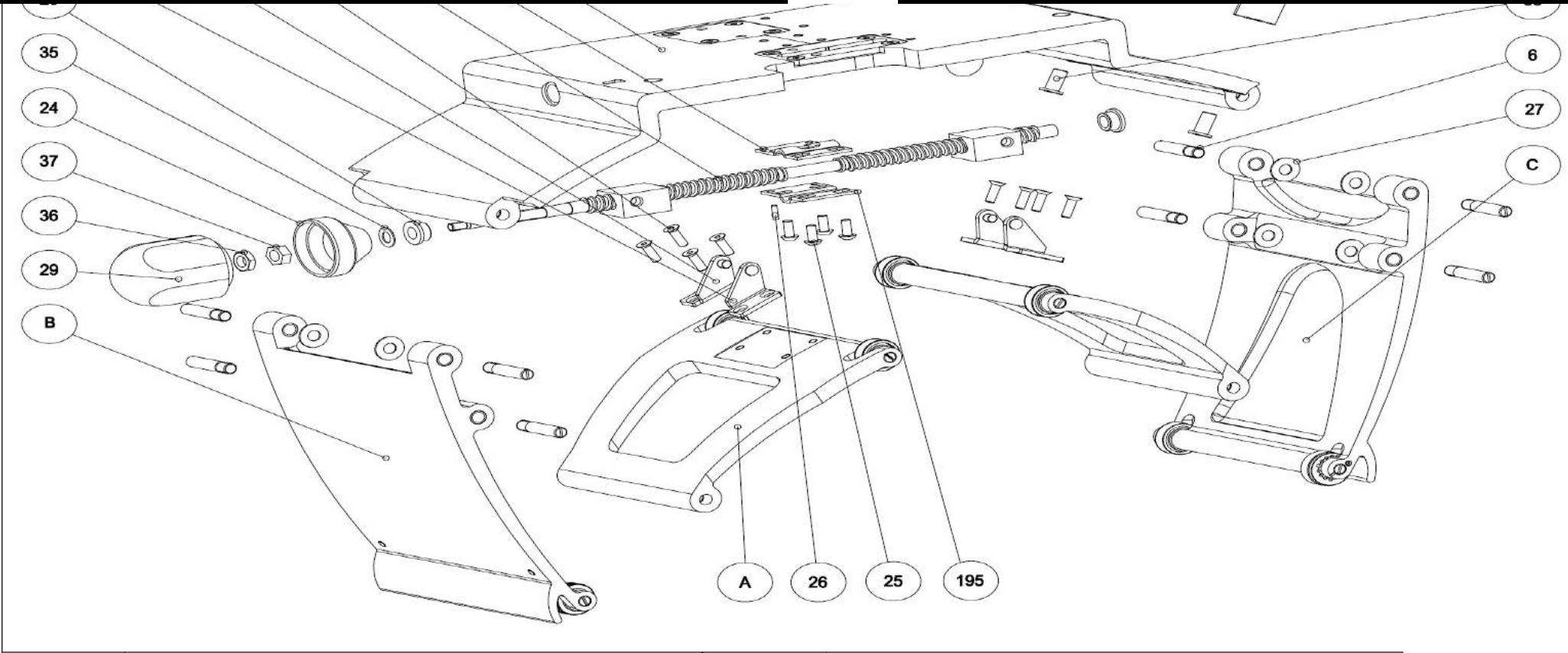
Code: 15642-00

verz.3, 2020-5



Pos.	Part n:o	Description-ENG	Pcs/unit
------	----------	-----------------	----------

Pos.	Part n:o	Description-ENG	Pcs/unit
------	----------	-----------------	----------



Pos.	Part n.o	Description-ENG	Pcs/unit
130	15559-00	Armature 230 V with bearings	1
70	15525-00	Bearing	1
59	15524-00	Bearing	1
113	15498-00	Magnet X NR808	1
130	15496-00	Armature 230 V	1
130	15560-00	Armature 120 V with bearings	1
70	15525-00	Bearing	1
59	15524-00	Bearing	1
113	15498-00	Magnet X NR808	1
130	15496-50	Armature 120 V	1
72	15472-00	Lock Hook	1
61	15473-00	Lock hook in	2
62	15471-00	Lock hook out	2
60	248082-00	Rivet 3,2x10 DIN 7337 Al	1
104	11538-01	Locking Lever with attention sticker	1
1040	11538-00	Locking Lever	1
1060	11134-60	Attention Sticker Yellow	1
12	15571-00	Counter Peg - SA	1
120	15465-00	Counter peg	1
1920	15540-00	Side support left	1
1930	15540-05	Side support right	1
1940	590532-00	Rivet 4x16 DIN7337A	2
45	15561-00	Cutter shaft PC360 PS - SA	1
450	15483-00	Gear cover	1
390	15526-00	Bearing	1
440	15527-00	Bearing	1
1800	10987-02	Screw M4x6	3
2430	15544-00	Key A5x5x18 DIN 6885	1
420	590874-28	Retaining rings 14x1 DIN 471	1
430	590874-29	Retaining rings 17x1 DIN 471	1
520	15512-00	Gear 4, Z=47	1
410	15513-00	Blade shaft	1
710	15524-10	Bearing	1
320	15718-00	Cutter shaft PC360 PS - SA - B	1
450	15483-00	Gear cover	1
390	15526-00	Bearing	1
440	15527-00	Bearing	1
1800	10987-02	Screw M4x6	3
2430	15544-00	Key A5x5x18 DIN 6885	1
420	590874-28	Retaining rings 14x1 DIN 471	1
430	590874-29	Retaining rings 17x1 DIN 471	1
520	15512-00	Gear 4, Z=47	1
325	15655-00	Blade shaft - B	1
710	15524-10	Bearing	1
256	15566-00	Gear shaft PC360 PS - SA	1
2680	15384-01	Key A5x5x10 DIN 6885	1
710	15524-10	Bearing	1
2330	590874-27	Retaining rings 16x1 DIN 471	1
500	15510-00	Gear 2, Z=33	1
510	15511-00	Gear 3, Z=18	1
141	15584-00	Lower blade Guard PC360 PS - AS	1
1410	15480-00	Lower blade Guard PC360 PS	1
480	15485-90	Slide plate	1
470	11251-10	Rivet 4x6 DIN 7337 Al	1
21	11665-00	Trapeze 360,360E and nuts 17,18	1
210	11150-00	Trapeze screw	1
170	11148-00	Transfer sleeve L. handed	1
180	11149-00	Transfer sleeve R. handed	1
A	15562-00	Pulling profile PC360 PS - SA	1
22	15410-10	Pulling profile PC360 painted dark blue	1
6	11177-00	Special screw M8x40	2
7	11143-00	Ball bearing - SA	2
B	15563-00	Turning profile PC360 PS left - SA	1
165	15467-00	Turning profile left PC360 PS - painted dark blue	1
14	11176-00	Sliding bearing	4
3	590872-09	Screw M5x6 ISO 7380	2
200	10994-05	Spring plate	2
197	11891-50	Wheel 24,7 - SA	1
199	11891-00	Wheel 24mm - SA	1
6	11177-00	Special screw M8x40	2
C	15564-00	Turning profile PC360 PS right - SA	1
16	15468-00	Turning profile right PC360E - painted dark blue	1
6	11177-00	Special screw M8x40	2
7	11143-00	Ball bearing - SA	1
14	11176-00	Sliding bearing	4
252	11129-60	Eccenter PC360	1
1211	11130-50	Wheel for eccentric PC360	1
198	11889-00	Sliding bearing	2
251	11570-00	Pin screw M4x6 DIN 913	1